

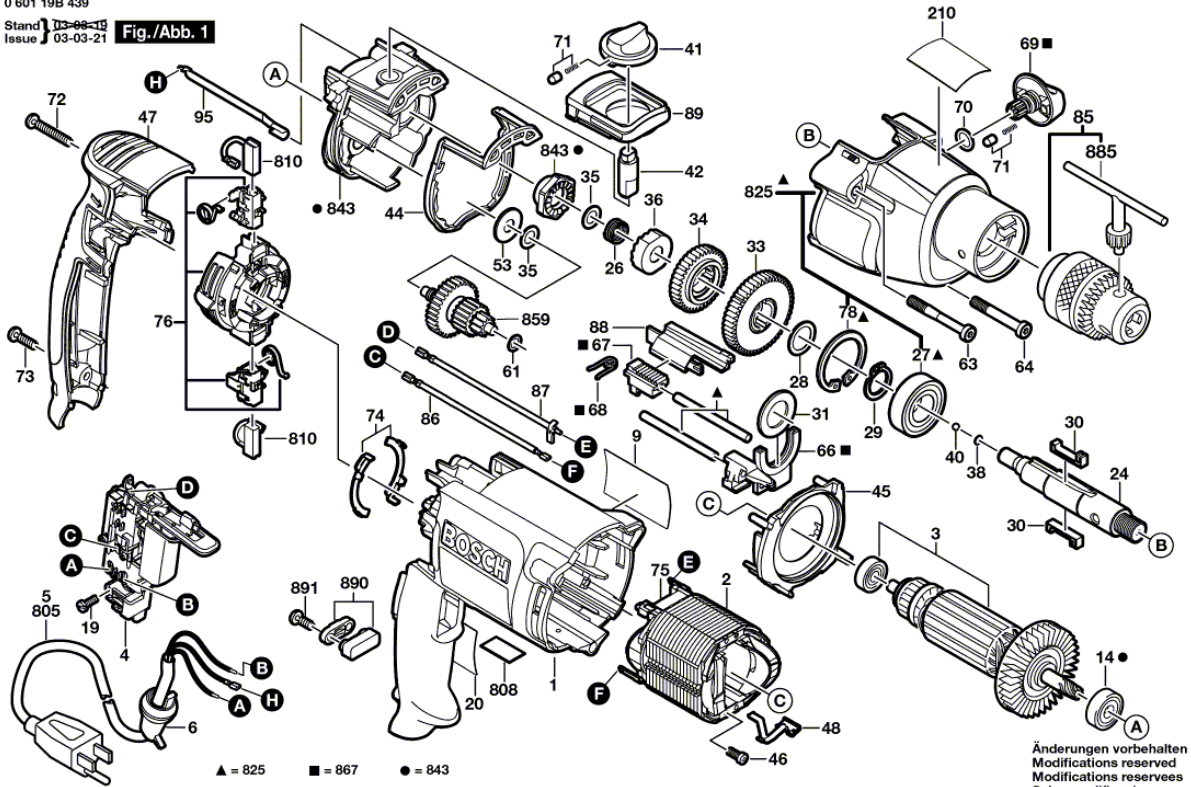
BOSCH

**0 601 19B 439
PERCUSSION DRILL 1199 VSR**

16.12.2003
17:11:18

0 601 19B 439
Stand 13-03-15
Issue 03-03-21

Fig./Abb. 1

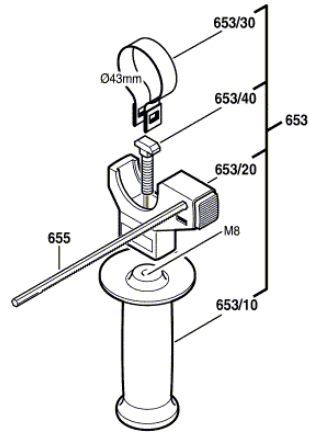


Item	Quantity	Order No.	Designation	Page
1	1	2 605 105 032	MOTOR HOUSING	1
2	1	2 604 220 479	FIELD \ 110-120V	1
3	1	2 604 011 323	ARMATURE	1
4	1	2 607 200 587	ON-OFF SWITCH	1
5	1	2 604 460 267	MAINS CONNECTION CABLE	1
6	1	2 600 707 074	GROMMET	1
9	1	2 601 116 341	MANUFACTURER'S NAMEPLATE	1
14	1	2 600 905 095	DEEP-GROOVE BALL BEARING	1
19	1	2 914 201 664	TORX OVAL-HEAD SCREW \ 3x10MM	1
20	1	2 601 116 342	REFERENCE PLATE	1
24	1	2 606 135 113	DRILLING SPINDLE	1
26	1	2 604 616 013	COMPRESSION SPRING	1
27	1	1 900 905 163	DEEP-GROOVE BALL BEARING \ 6003-2 RS/C3 DIN 625	1
28	1	2 600 100 695	SHIM \ 0,5 MM	1
29	1	2 916 650 008	C-CLIP \ DIN 471 17x1MM	1
30	2	2 602 300 030	FLAT KEY	1
31	1	2 600 101 671	RETAINING WASHER	1
33	1	2 606 317 076	CYLINDRICAL GEAR	1
34	1	2 606 317 077	CYLINDRICAL GEAR	1
35	2	2 600 101 047	SHIM \ 0,3 MM	1
36	1	2 600 190 090	CATCH DISK	1
38	1	2 600 000 021	SHIM RING \ 1,0 MM	1
38	1	2 600 000 030	SHIM RING	1
38	1	2 600 000 031	SHIM RING	1
40	1	1 903 230 009	BALL \ DIN 5401-5 G28	1
40	1	1 903 230 010	BALL \ DIN 5401-5,5MM-III-ST	1
40	1	2 603 230 007	BALL	1
41	1	2 602 026 118	ROTARY KNOB	1
42	1	2 603 120 064	CONTROL SHAFT	1
44	1	2 601 015 091	SEAL	1
45	1	2 600 148 008	AIR-DEFLECTOR RING	1
46	4	2 603 435 015	RECESSED-HEAD SCREW \ DIN 7981-ST3,5x9,5-F	1
47	1	2 605 132 055	HOUSING COVER	1
48	1	2 601 324 048	CONTACT SPRING	1
53	1	2 600 550 008	DISC SPRING	1
61	1	2 600 100 607	SHIM \ 0,3 MM	1
63	2	2 603 435 084	HEADLESS SCREW	1
64	1	2 603 435 085	HEADLESS SCREW	1
66	1	2 602 033 016	ADJUSTING SLIDE	1
67	1	2 606 308 037	RACK	1
68	1	2 604 616 014	COMPRESSION SPRING	1
69	1	2 602 026 117	ROTARY KNOB	1
70	1	2 600 210 051	O-RING	1
71	2	2 600 590 006	RATCHET CAP	1
72	1	2 914 201 710	TORX OVAL-HEAD SCREW \ 4x30MM	1
73	2	2 914 201 705	TORX OVAL-HEAD SCREW \ DIN 4756-4x16-T20	1
74	2	1 611 329 024	SWITCH CONTACT	1
75	2	1 614 465 012	ADAPTER MODULE	1
76	1	1 614 336 051	BRUSH HOLDER	1
78	1	2 916 660 014	C-CLIP \ 35x1,5 MM, DIN 472	1
85	1	2 608 571 060	KEY CHUCK	1

86	1	1 614 448 014	CONNECTING CABLE \ L= 80 MM	1
87	1	2 604 448 263	CONNECTING CABLE	1
88	1	2 601 328 074	HOLDING PLATE	1
89	1	2 605 510 206	BULB SHIELD	1
95	1	2 601 329 105	BOW	1
210	1	2 601 116 318	REFERENCE PLATE	1
653	1	2 602 025 118	AUXILIARY HANDLE \ Ø43MM	2
653/10	1	1 612 025 019	AUXILIARY HANDLE \ M 8	2
653/20	1	2 608 040 176	SUPPORT CLAMP \ Ø 43 MM	2
653/30	1	1 611 316 006	CLAMPING BAND \ Ø 43 MM	2
653/40	1	1 613 490 002	T-HEAD BOLT \ M8x40MM	2
655	1	1 613 001 009	DEPTH-GAUGE \ SW6x210MM	2
808	1	2 601 116 346	RATING PLATE	1
810	1	1 617 000 525	CARBON-BRUSH SET	1
825	1	2 605 806 891	GEAR HOUSING	1
843	1	2 605 700 943	BEARING BRACKET	1
859	1	2 606 309 933	TOOTHED SHAFT	1
867	1	2 606 308 925	RACK	1
885	1	2 607 950 007	CHUCK WRENCH \ SG 2	1
890	1	2 607 001 305	FIXING-PARTS SET	1
891	1	2 603 410 046	RECESSED-HEAD SCREW \ M 3x5	1

0 601 19B 439

Stand } 03-03-19 **Fig./Abb. 2**



Änderungen vorbehalten
Modifications reserved
Modificaciones reservadas
Salvo modificaciones

Page 2

